

Temposonics®

Magnetostrictive Linear Position Sensors

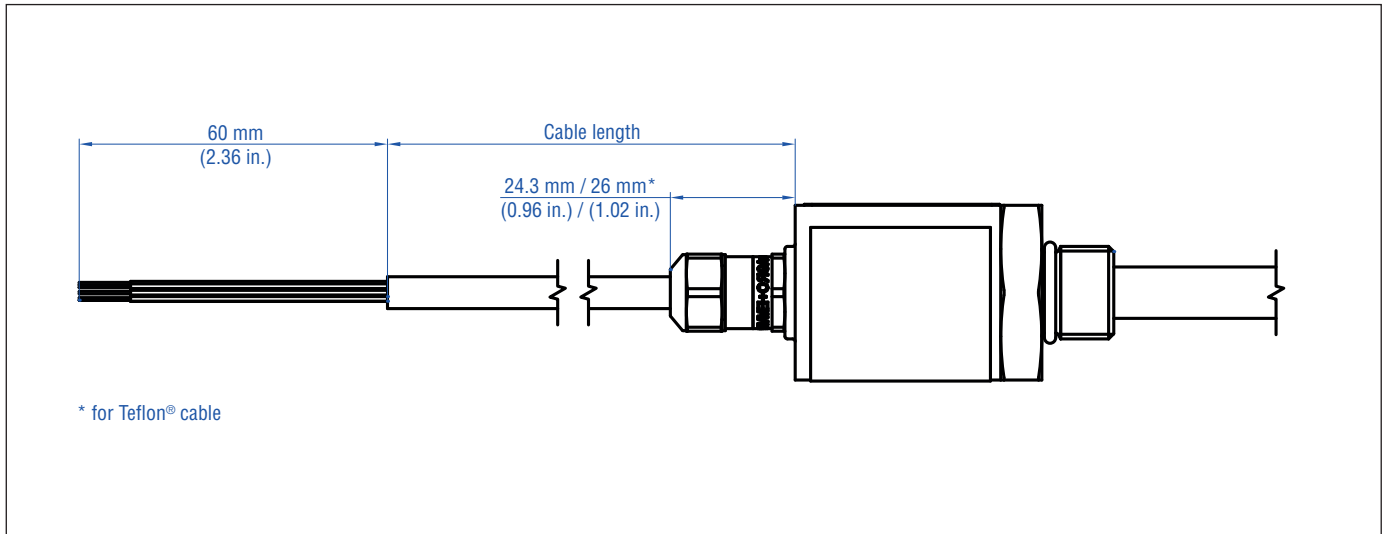
EH with Cable Outlet
Data Sheet Addition



NOTICE

The following technical specifications replace – respectively are an addition to – the data in document *EH Analog; Start/Stop 551247, EH CANopen 551296 and EH SSI 551297*

TECHNICAL DRAWING



CONNECTION WIRING

Cable	Analog	Start/Stop	CANopen	SSI
GY	Signal	Stop (-)	CAN_L	Data (-)
PK	GND (Signal)	Stop (+)	CAN_H	Data (+)
YE	2. Signal	Start (+)	n.c.	Clock (+)
GN	n.c.	Start (-)	n.c.	Clock (-)
BN	+24 VDC	+24 VDC	+24 VDC	+24 VDC
WH	GND (power supply)	GND (power supply)	GND (power supply)	GND (power supply)

ORDER CODE

E	H					M	E				Output
a	b	c					d	e	f		

a Sensor model

E	H	Rod version
----------	----------	-------------

b Performance

See EH data sheets SSI, CANopen, Analog, Start/Stop

c Stroke length

See EH data sheets SSI, CANopen, Analog, Start/Stop

d Connection type

E	H	1	2 m PUR cable 530 166, 3 × 2 × 0.14
E	H	2	5 m PUR cable 530 166, 3 × 2 × 0.14
E	H	3	10 m PUR cable 530 166, 3 × 2 × 0.14
E	H	4	15 m PUR cable 530 166, 3 × 2 × 0.14
E	T	1	2 m Teflon® cable 530 157, 3 × 2 × 0.14
E	T	2	5 m Teflon® cable 530 157, 3 × 2 × 0.14
E	T	3	10 m Teflon® cable 530 157, 3 × 2 × 0.14
E	T	4	15 m Teflon® cable 530 157, 3 × 2 × 0.14

e Operating voltage

See EH data sheets SSI, CANopen, Analog, Start/Stop

f Output

See EH data sheets SSI, CANopen, Analog, Start/Stop

Document Part Number:
551660 Revision A (EU.EN) 03/2015

LOCATIONS

USA
MTS Systems Corporation
Sensors Division
3001 Sheldon Drive
Cary, N.C. 27513, USA
Tel. +1 919 677-0100
Fax +1 919 677-0200
info.us@mtssensors.com
www.mtssensors.com

JAPAN
MTS Sensors Technology Corp.
737 Aihara-machi,
Machida-shi,
Tokyo 194-0211, Japan
Tel. +81 42 775-3838
Fax +81 42 775-5512
info.jp@mtssensors.com
www.mtssensors.com

FRANCE
MTS Systems SAS
Zone EUROPARC Bâtiment EXA 16
16/18, rue Eugène Dupuis
94046 Creteil, France
Tel. +33 1 58 4390-28
Fax +33 1 58 4390-03
info.fr@mtssensors.com
www.mtssensors.com

GERMANY
MTS Sensor Technologie
GmbH & Co. KG
Auf dem Schüffel 9
58513 Lüdenscheid, Germany
Tel. +49 2351 9587-0
Fax +49 2351 56491
info.de@mtssensors.com
www.mtssensors.com

CHINA
MTS Sensors
Room 504, Huajing Commercial Center,
No. 188, North Qinzhou Road
200233 Shanghai, China
Tel. +86 21 6485 5800
Fax +86 21 6495 6329
info.cn@mtssensors.com
www.mtssensors.com

ITALY
MTS Systems Srl.
Sensor Division
Via Diaz,4
25050 Provaglio d'Iseo (BS), Italy
Tel. +39 030 988 3819
Fax +39 030 982 3359
info.it@mtssensors.com
www.mtssensors.com

LEGAL NOTICES

MTS, Temposonics and Level Plus are registered trademarks of MTS Systems Corporation in the United States; MTS SENSORS and the MTS SENSORS logo are trademarks of MTS Systems Corporation within the United States. These trademarks may be protected in other countries. All other trademarks are the property of their respective owners. Copyright © 2015 MTS Systems Corporation. No license of any intellectual property rights is granted. MTS reserves the right to change the information within this document, change product designs, or withdraw products from availability for purchase without notice. Typographic and graphics errors or omissions are unintentional and subject to correction. Visit www.mtssensors.com for the latest product information. Product change notification alerts are available through the MTS Product Change Management System; register at www.mtssensors.com/PCMS.

ISO 9001
CERTIFIED

